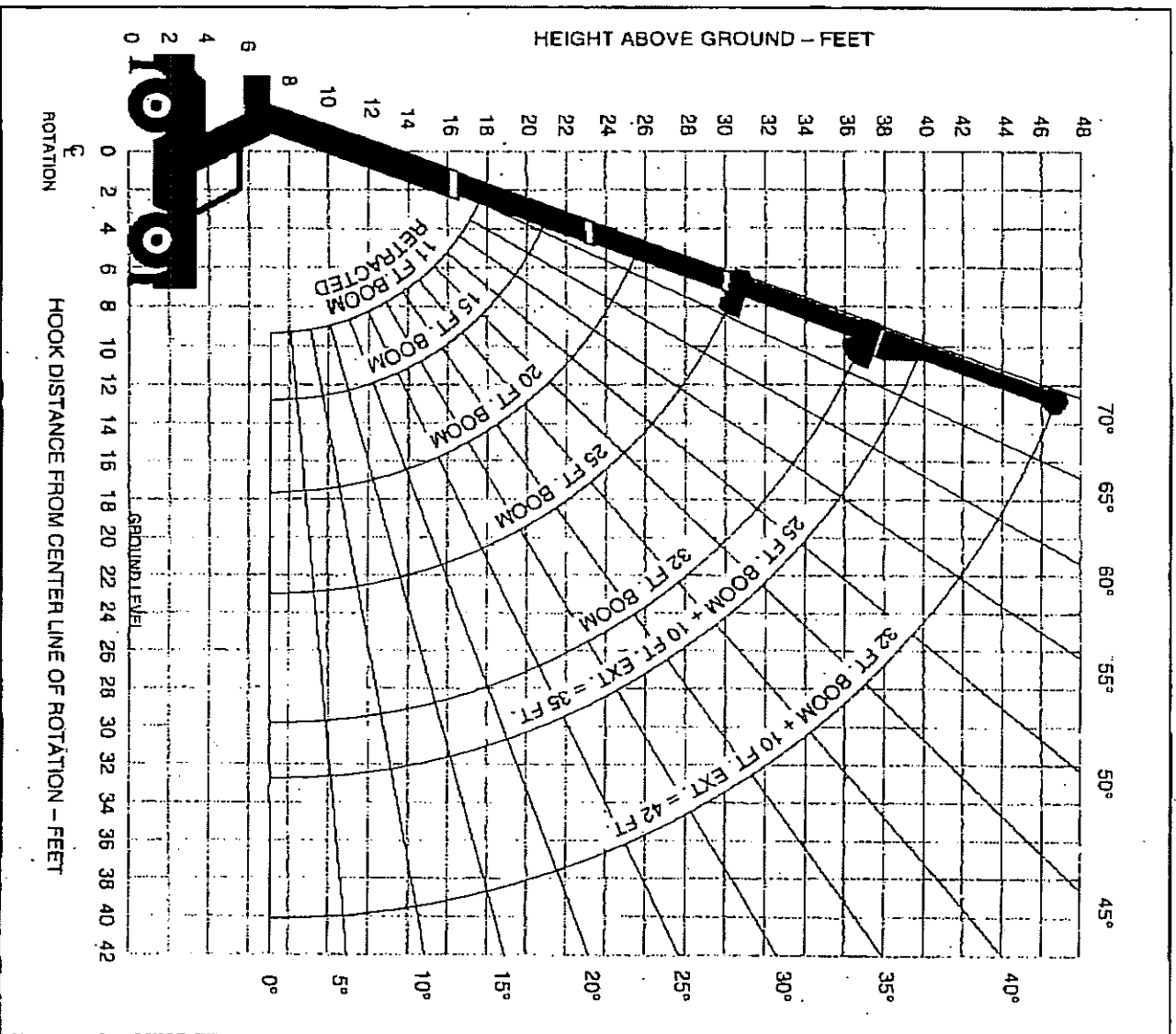


D 85i RANGE DIAGRAM

OFFICE USE ONLY

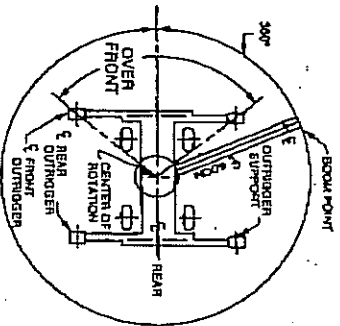
No. 1190 P. 4

*Terex
D85i
Specs.*

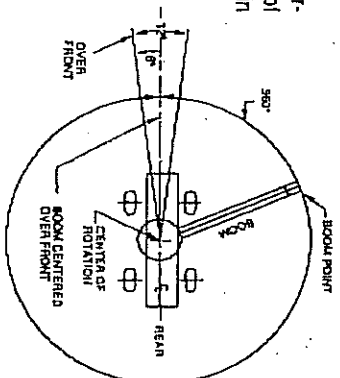


AREAS OF OPERATION

NOTE: These lines determine the limiting position of any load for operating within working areas indicated.



ON OUTRIGGERS



ON TIRES

